

CENTURY IV SERIES

PROGRESSING CAVITY PUMP

Design

Pin driven, open throat industrial pump for viscous materials

Flow Rates

Flow capacities to 100 GPM/0.38m³/min.

Pressures

Pressures to 150 PSI/10.3 bar

Construction

Available in cast iron or carbon steel

DuraFlo™ Stator Elastomers and Temperature Capabilities

EPDM (70 durometer) 260°F/126°C

Buna (Nitrile) 50 Duro 210°F/100°C

Buna (Nitrile) 70 Duro food grade 210°F/100°C

Fluoroelastomer (70 durometer) 400°F/205°C

Nitrile (70 durometer) 210°F/100°C

Natural Rubber (55 durometer) 185°F/85°C

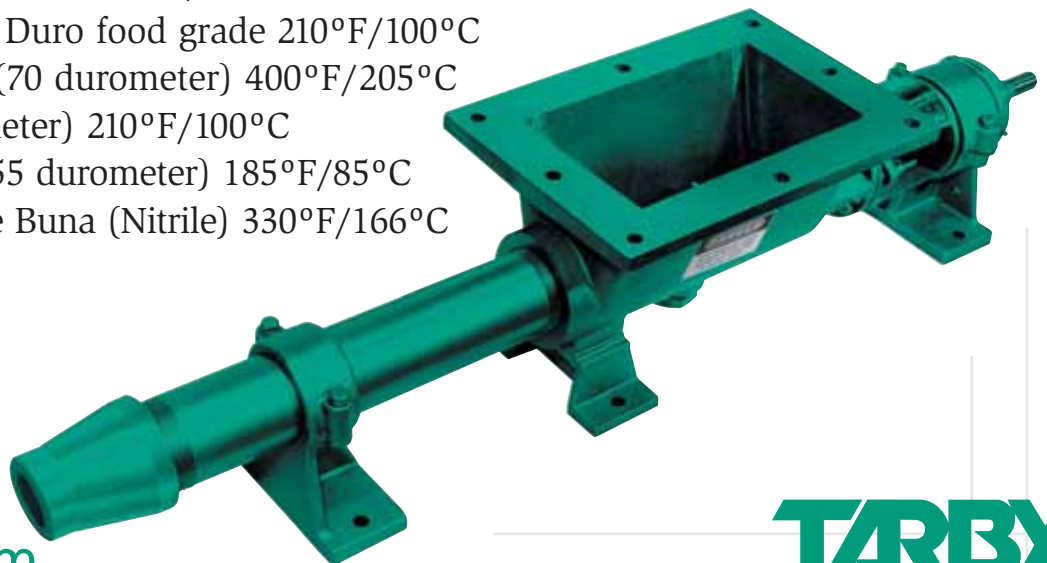
High Temperature Buna (Nitrile) 330°F/166°C

Application Versatility

- Tar
- Joint Cement
- Slurries
- Sheer Sensitive Polymers
- Resins
- Sludge Transfer
- Grease and Scum
- Clay Slurry
- Calcium Carbonate
- Latex

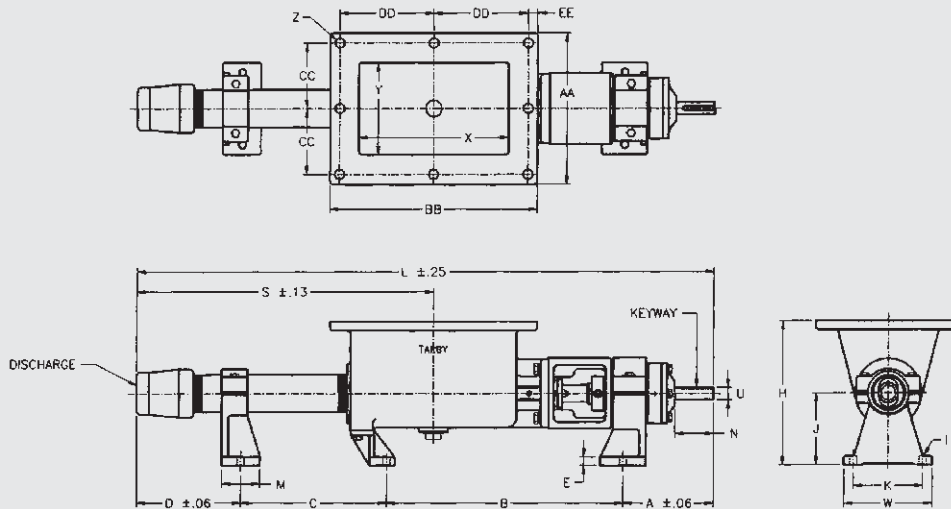
Markets Served

- Wastewater
- Chemical Processing
- Pulp & Paper
- Food Processing

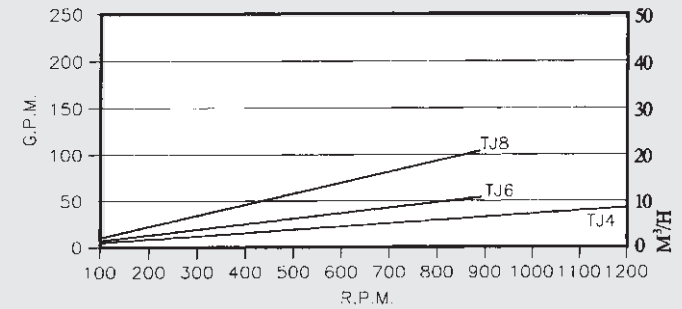


Century IV Series

PROGRESSING CAVITY PUMP



Dimensions (Inches)



MODEL	GENERAL PUMP DIMENSIONS											DRIVE SHAFT			SUCTION					DISCH.					
	A	B	C	D	E	H	I	J	K	L	M	S	W	U	N	KEYWAY	X	Y	Z	AA	BB	CC	DD	EE	PORT SIZE
2TJ4	7.00	18.43	11.51	8.25	0.65	11.00	0.56	5.50	5.50	45.19	3.00	23.38	7.00	0.94	3.00	1/4x1/8	11.75	7.00	0.75	11.50	16.25	5.00	7.38	0.75	2.00 NPT
2TJ6	8.56	25.02	12.37	15.13	0.75	12.50	0.69	6.25	7.00	61.09	4.00	33.71	8.75	1.13	4.46	1/4x1/8	14.50	8.00	0.75	13.00	19.60	5.50	8.75	1.05	2.50 NPT
2TJ8	9.25	28.87	17.80	17.06	1.25	16.00	0.88	8.00	9.00	72.97	5.00	39.24	11.56	1.38	4.58	3/8x3/16	20.00	10.50	0.75	14.50	24.50	6.50	11.50	0.75	4.00 NPT

Performance based on water at 68° F., with pressures up to 150 PSI.

Dimensions (millimeters)

MODEL	GENERAL PUMP DIMENSIONS											DRIVE SHAFT			SUCTION					DISCH.					
	A	B	C	D	E	H	I	J	K	L	M	S	W	U	N	KEYWAY	X	Y	Z	AA	BB	CC	DD	EE	PORT SIZE
2TJ4	177.8	468.1	292.4	209.4	16.5	279.4	14.2	139.7	139.7	1147.8	76.2	593.9	177.8	23.9	76.2	***	298.5	177.8	19.1	292.1	412.8	127	187.5	19.1	***
2TJ6	217.4	635.5	314.2	314.2	19.1	317.5	17.5	177.8	177.8	1551.7	101.6	856.2	222.3	28.7	113.3	***	368.3	203.2	19.1	330.2	497.8	139.7	222.3	26.7	***
2TJ8	234.9	733.3	452.1	452.1	31.8	406.4	22.4	228.6	228.6	1853.4	127	996.7	293.6	35.1	116.3	***	508	266.7	19.1	622.3	622.3	165.1	292.1	19.1	***

Performance based on water at 20° C., with pressures up to 10.3bar.

*** Please refer to inches dimension table



2205 E.L. Anderson Blvd., Claremore, OK 74017 U.S.A.
Telephone: 800.854.1879 Fax: 918.341.8297

www.tarby.com

Stocking Distributors Nationwide: